



Features

- USB output + Main output (pass through)
- RoHS Compliance
- 2Pin Jack Input
- Over Voltage Protective Installation
- Over Current Protective Installation
- Short Circuit Protective Installation
- MTBF: >30,000 hours
- USB ports Recommend for Ipad charge

ED1006A PP

PP: Connector type, ie 01 for EDACPOWER standard dc cable or please refer to the appendix page

Electrical Specifications

MODEL No.	MAX. OUTPUT POWER (W)	INPUT VOLTAGE (Vdc)	OUTPUT VOLTAGE (Vo)	LOAD		LOAD REGULATION	LINE REGULATION	RIPPLE & NOISE
				MIN. (Io)	MAX. (Io)			
ED1006A	10.71W	15~24V	5.1V	0A	2.1A	± 5%	± 2%	100mV

NOTE:

- 1 : Ripple & noise is measured by using 20MHz bandwidth limited oscilloscope and terminated each output with a 0.1uF ceramic capacitor & parallel with 47uF aluminum capacitor at full load and nominal line.
- 2 : Line regulation is defined by changing ±10% of input voltage from nominal line at rated load.
- 3 : Max. Output Power (W) $\geq V_o \times I_o$

Electrical Specifications

INPUT

- Input Range 15 ~ 24Vdc
- Input Current $\leq 6A$
- Inrush Current No Damage to relative components
- Efficiency 85% Typ. (USB Port)
- Turn On Time $\leq 3s$

OUTPUT

- Over Voltage Protection Auto Recovery
- Short Circuit Protection Auto Recovery
- Over Current Protection Auto Recovery

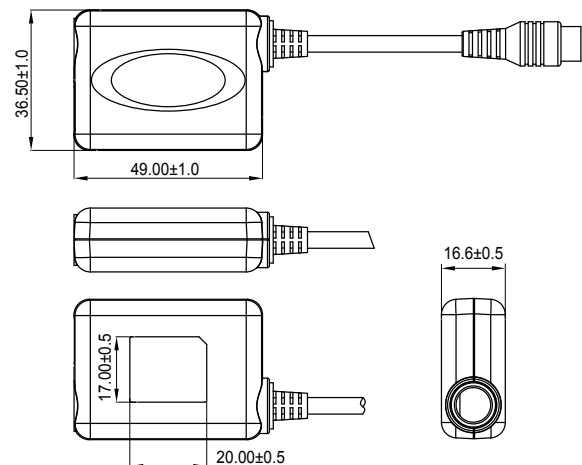
ENVIRONMENTAL

- Operating Temperature 0 to 40°C
- Storage Temperature -20 to 85°C
- Storage Humidity 5% to 95%

SAFETY

- CB, FCC, cTUVus, TUV, CE

Mechanical Specification



- Case Size: 49Lx36.5Wx16.6H (mm)